

# FEKA VS GRINDER

NEW RANGE

OUTSTANDING PERFORMANCE  
FOR EVERY INSTALLATION



SUBMERSIBLE PUMPS  
WITH SHREDDER FOR  
SEWAGE



ACQUE CHIARE



ACQUE CARICHE



TRITURATORI



WATER • TECHNOLOGY



# FEKA VS GRINDER

## TOUGH AND EFFECTIVE FOR YOUR EVERY INSTALLATION NEED

Feka VS Grinder is a **single-stage submersible pump incorporating an AISI 630 stainless steel shredder**, designed for transferring untreated wastewater containing stringy material.

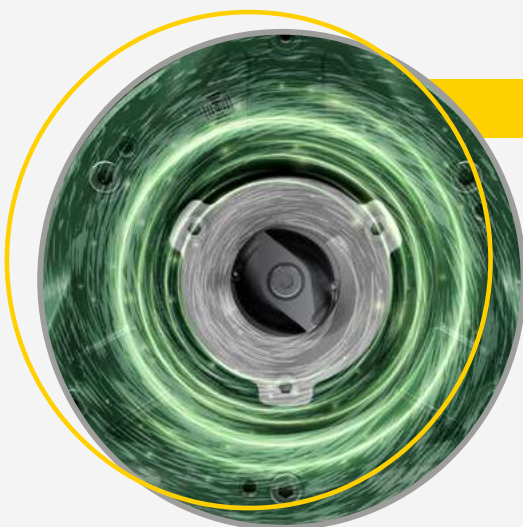
It is suited to settings where a high head is required, such as in the case of **pipework with a small diameter** or where **connection to the public sewer is some distance away**, or when wanting to avoid the **risk of clogging**. In addition, with its small footprint and both flanged and threaded outlet ports, Feka VS Grinder is ideal as a replacement in existing or outdated systems.

This is further testament to how DAB is attuned to the needs of all market players, from the installer to the end user: Feka VS Grinder is specifically sized to fully meet the functional, performance and consumption requirements of the specific applications for which it has been designed, ensuring maximum performance levels without wasting energy and economic resources.

Wear-resistant materials, such as cast iron and stainless steel, and performance capable of achieving heads of up to 25 metres, come together to ensure an **increasingly rewarding installation and user experience**, and a longer pump life.

## UNBEATABLE SHREDDING EFFECTIVENESS

Feka VS Grinder features an **AISI 630 stainless steel shredder offering powerful shredding**. This ensures **safety and reliability** for all applications demanding a combination of impressive performance and low maintenance.



### IT CAN GRIND, AMONG OTHER THINGS:

- RAGS OF VARIOUS SIZES AND DIFFERENT TYPES OF FABRIC
- VARIOUS TYPES OF GLOVES
- WIPES
- SANITARY TOWELS

It is certified according to **EN 12050-1**, the European standard that defines the design and construction specifications of systems for lifting waste water that may contain solid and faecal matter.

# OVERVIEW

## PLUG & PLAY

**For reduced installation times and costs.** With Feka VS Grinder, in the single-phase version with float, there is no need to connect the pump to an electrical panel, thus eliminating the time and money involved in bringing in an electrician: once installed, the pump is ready to go.

## TRULY FLEXIBLE...

The DN32/DN40 flanged connection and the 40mm / 1½" threaded connection make Feka VS Grinder the perfect solution not just for new installations, but even for replacing obsolete pumps in existing systems or systems with small diameter pipework.

## ....AND TRULY VERSATILE

Powerful shredding, plug & play functionality, and connection flexibility make this product an ideal candidate for a wide range of installations.

## APPLICATIONS AND INSTALLATIONS

**Campsites or tourist facilities** where, in addition to shredding power, a high head is also needed to reach particularly distant sewer connections.

**HoReCa businesses** where the use of oils and soaps tends to result in greater pump wear and tear.

**Cellars and basements** with pipework that has a small diameter or is prone to clogging.

**Civil engineering applications** with reservoirs that have to deal with various unscreened material.

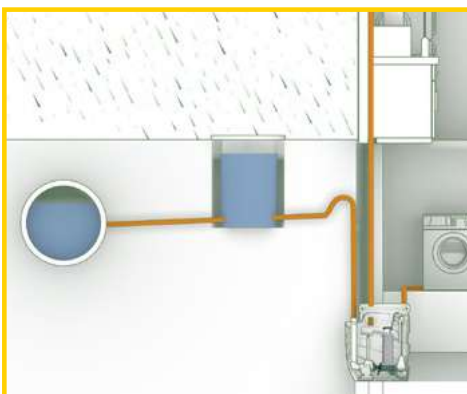
**Residential use** for example, including rainwater collection tanks.

**Processing** with water that is non-acidic but contains stringy material of varying density, meaning high pressure is needed to transfer wastewater.



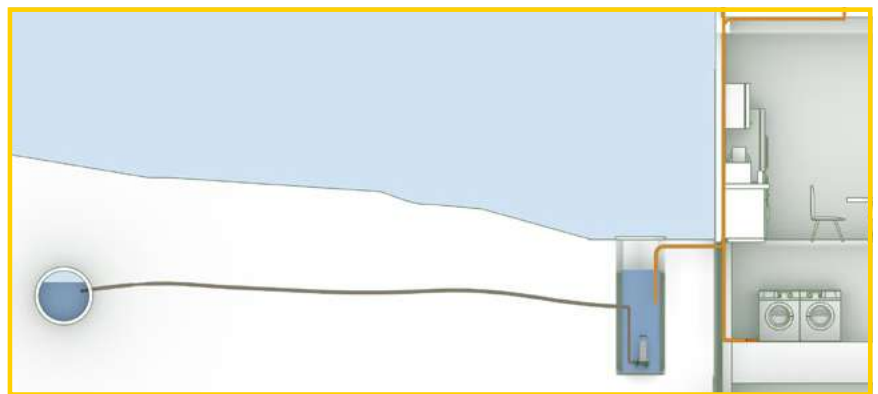
### STAND ALONE

Can be put in any position as required



### INSIDE THE BUILDING

Ideal for basement rooms like cellars and dens



### OUTSIDE THE BUILDING

When connection points are at a distance or on camp-sites and in small buildings

## FEATURES

### STRONG, POWERFUL AND VERSATILE

The **Feka VS Grinder**'s shredder offers a combination of professional performance and flexible use. Reliability and strength are assured by the distinctive design features shared across the **FEKA VS** family, further bolstered by the addition of up-spec'd components, such as the cast iron impeller and pump casing.

#### PLUG & PLAY

Thanks to the **float on the automatic single-phase version**, there is no need to connect Feka VS Grinder to an electrical panel so, once installed, the pump is ready to go.

#### PUMP BODY

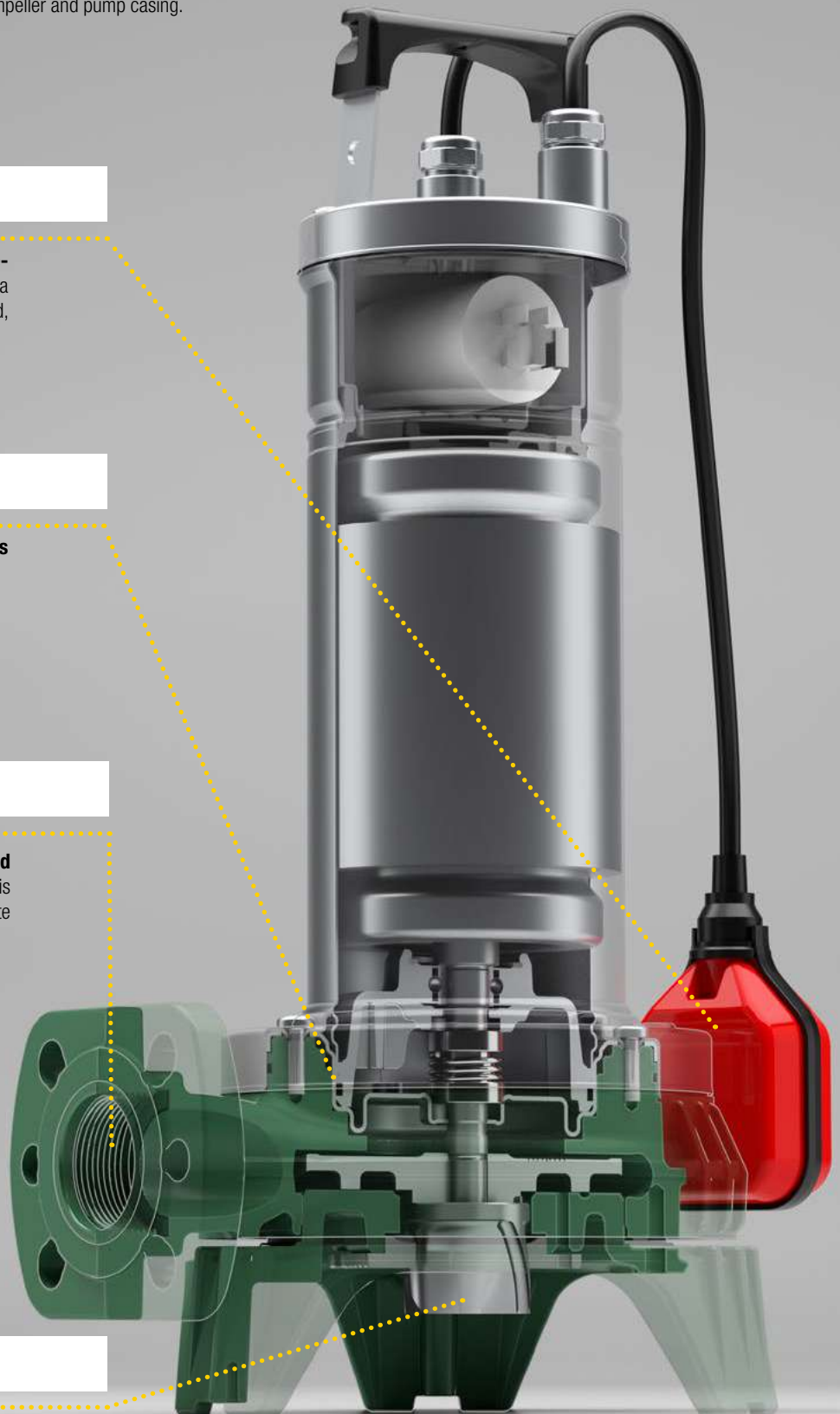
The pump body is in **cast iron with cataphoresis treatment** for **greater protection against rust**.

#### OUTLET CONNECTIONS

With the **DN32/DN40 flanged connection and 40mm / 1½" threaded connection**, flexibility is assured for installation in either new or obsolete systems.

#### GRINDING SYSTEM

The grinding system is made of **AISI 630 stainless steel**.



## FEKA VS GRINDER

# SELECTION TABLE



VERTICAL DISTANCE	OUTLET PIPE LENGTH DN 32 /40	FLOW	VERTICAL DISTANCE	OUTLET PIPE LENGTH DN 32 /40	FLOW
22 m	Max. 25/35 m	Q= 35/53 l/min (v = 0,7 m/s) <b>DRAINAGE WATER</b>	22 m	-	Q= 60/90 l/min (v = 1,2 m/s) <b>SEWAGE WATER (with fecal matter)</b>
20 m	Max. 90/120 m		20 m	-	
18 m	Max. 160/215 m		18 m	Max. 19/25 m	
16 m	Max. 225/305 m		16 m	Max. 40/55 m	
14 m	Max. 295/395 m		14 m	Max. 65/90 m	
12 m	Max. 360/485 m		12 m	Max. 90/120 m	
10 m	Max. 430/575 m		10 m	Max. 115/150 m	
8 m	Max. 495/665 m		8 m	Max. 135/185 m	
6 m	Max. 565/755 m		6 m	Max. 160/215 m	
4 m	Max. 630/850 m		4 m	Max. 185/250 m	
2 m	Max. 700/940 m	2 m	Max. 210/280 m		

Non-binding generic indication of the heights and lengths of the outlet pipes with a DN32 1 1/2" DN 40 internal diameter and the corresponding flow to achieve a self-cleaning speed of at least 0.7 m/s and to avoid sedimentation of solid material.

# VERSIONS



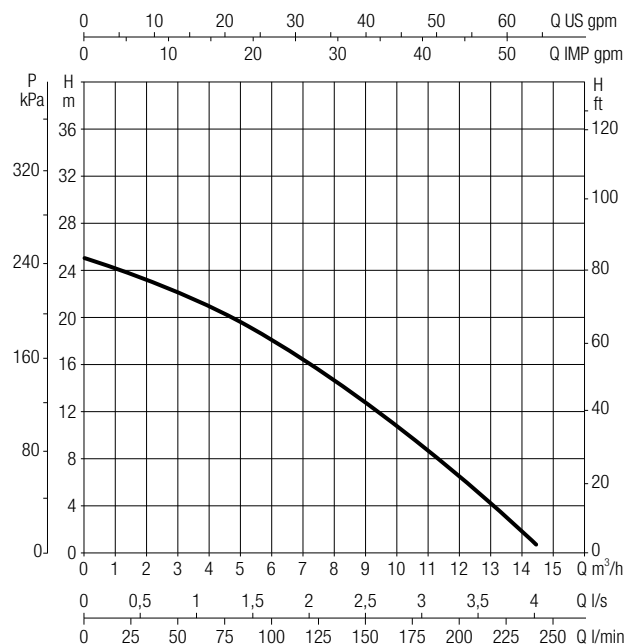
STANDARD VERSION



WITH FLOAT

# TECHNICAL DATA

<b>MAXIMUM FLOW RATE</b>	up to 14,4 m <sup>3</sup> /h
<b>MAXIMUM HEAD</b>	up to 25 m
<b>P1</b>	1,3 kW
<b>P2 NOMINAL</b>	1 Kw (1,3HP)
<b>MAX LIQUID TEMPERATURE:</b>	+40°C
<b>OUTLET:</b>	1" 1/2 GAS
<b>OUTPUT FLANGE</b>	DN 32 e DN 40
<b>PUMPED LIQUID</b>	sewage water, gray water
<b>OUTLET DIRECTION</b>	horizontal and vertical with curve kit accessory*



WARNING: the calculations and tables shown on these pages are based on our experience and can never replace the calculations made by a qualified technician: they are therefore only intended to give a general, non-binding indication for planning purposes.





**DAB PUMPS LTD.**  
6 Gilberd Court  
Newcomen Way  
Severalls Business Park  
Colchester  
Essex  
CO4 9WN - UK  
salesuk@dwtgroup.com  
Tel. +44 0333 777 5010



**DAB PUMPS IBERICA S.L.**  
Calle Verano 18-20-22  
28850 - Torrejón de Ardoz - Madrid  
Spain  
Info.spain@dwtgroup.com  
Tel. +34 91 6569545  
Fax: + 34 91 6569676



**DAB PUMPS (QINGDAO) CO. LTD.**  
No.40 Kaituo Road, Qingdao Economic  
& Technological  
Development Zone  
Qingdao City, Shandong Province - China  
PC: 266500  
sales.cn@dwtgroup.com  
Tel. +86 400 186 8280  
Fax +86 53286812210



**DAB PUMPS BV**  
'tHofveld 6 C1  
1702 Groot Bijgaarden - Belgium  
info.belgium@dwtgroup.com  
Tel. +32 2 4668353



**DAB PUMPS HUNGARY KFT.**  
H-8800  
Nagykanizsa, Buda Ernő u.5  
Hungary  
Tel. +36 93501700



**DAB PUMPS DE MÉXICO, S.A. DE C.V.**  
Av Amsterdam 101 Local 4  
Col. Hipódromo Condesa,  
Del. Cuauhtémoc CP 06170  
Ciudad de México  
Tel. +52 55 6719 0493



**DAB PUMPS POLAND Sp. z o.o.**  
Ul. Janka Muzykanta 60  
02188 Warszawa - Poland  
polska@dabpumps.com.pl



**DAB PUMPS B.V.**  
Albert Einsteinweg, 4  
5151 DL Drunen - Nederland  
info.netherlands@dwtgroup.com  
Tel. +31 416 387280  
Fax +31 416 387299



**DAB PUMPS INC.**  
3226 Benchmark Drive  
Ladson, SC 29456 - USA  
info.usa@dwtgroup.com  
Tel. 1- 843-797-5002  
Fax 1-843-797-3366



**DAB PUMPS OCEANIA PTY LTD**  
426 South Gippsland Highway,  
Dandenong South VIC 3175 - Australia  
info.oceania@dwtgroup.com  
Tel. +61 1300 378 677



**DAB PUMPS GMBH**  
Am Nordpark 3  
D - 41069 Mönchengladbach - Germany  
info.germany@dwtgroup.com  
Tel. +49 2161 47388-0  
Fax +49 2161 47388-36



**DAB PUMPS SOUTH AFRICA (PTY) LTD**  
Twenty One industrial Estate,  
16 Purlin Street, Unit B, Warehouse 4  
Olifantsfontein -1667 - South Africa  
info.sa@dwtgroup.com  
Tel. +27 12 361 3997



**PT DAB PUMPS INDONESIA**  
Satrio Tower lantai 26  
unit C-D, Jl. Prof. Dr. Satrio Kav. C4,  
Kel. Kuningan Timur, Kec. Setiabudi, Kota Adm.  
Jakarta Selatan, Prov. DKI Jakarta. - Indonesia  
Tel. +62 2129222850