



PERFORMANCE CURVES

2026-01-30

Page 2 / 3

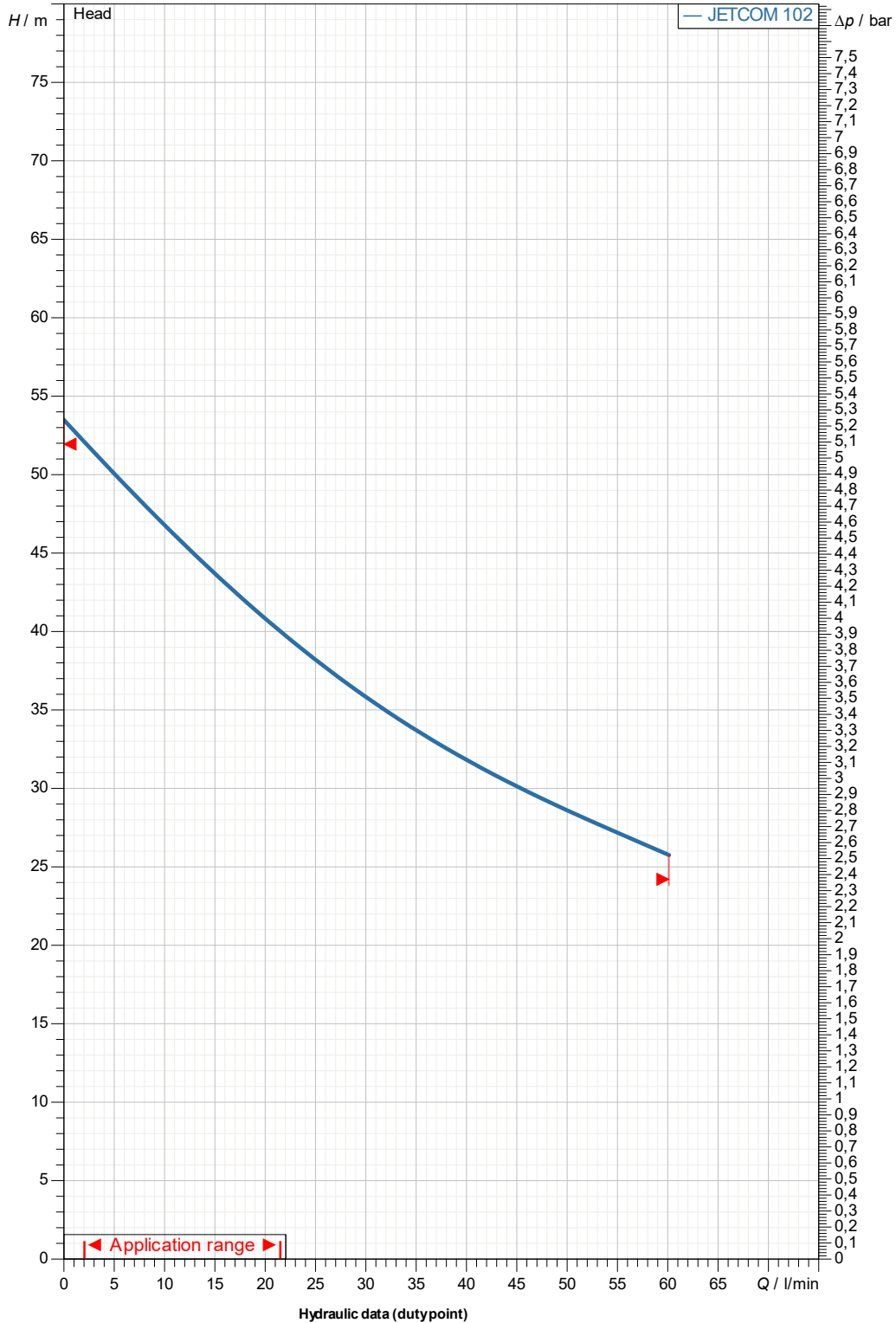
DAB PUMPS S.p.A.
Via Marco Polo, 14 - 35035 Mestrino (PD), Italy
Tel. +39 049 5125000 - Fax +39 049 5125950
www.dabpumps.com

Receiver

Company
Reference
Address
Phone
Fax
E-mail

Jet Com 102 1x220-240 50 No Cable

Curve tolerance according to ISO 9906

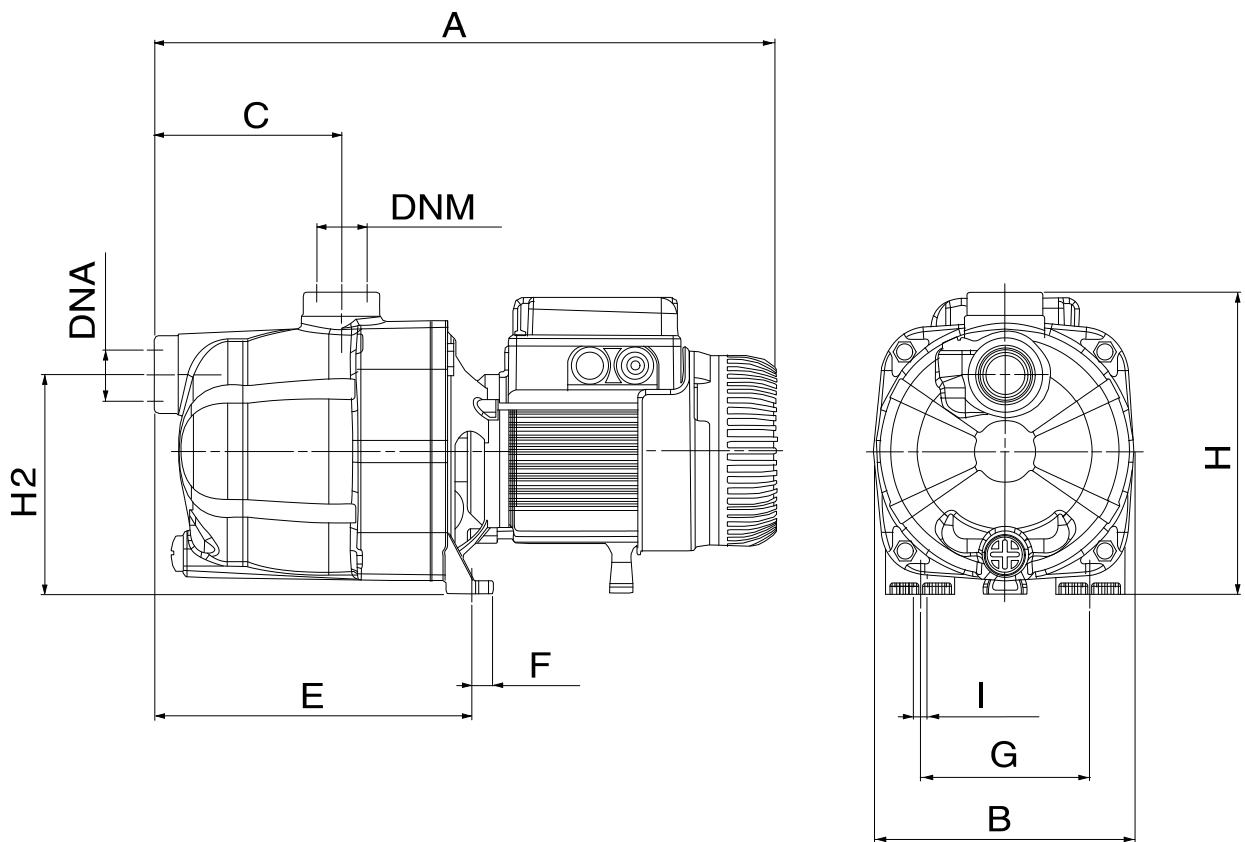


Suction side : 1" G 6 bar	Discharge side : 1" G 6 bar	Flow :	Head :	Rated speed : 2.800 1/min
Project	Project ID	Created by	Created on 2026-01-30	

Receiver

Company
Reference
Address
Phone
Fax
E-mail

Jet Com 102 1x220-240 50 No Cable



Dimensions in mm

Pump connection

1	A	425					
2	B	170					Suction
3	C	122					1" G
4	DNA	1" G					6 bar
5	DNM	1" G					
6	E	208					Discharge
7	F	14					1" G
8	G	111					6 bar
9	H	203					
10	H2	144					
11	I Ø	9					

Project	Project ID	Created by	Created on 2026-01-30
---------	------------	------------	---------------------------------